

# ACCESS 570 AC

Woofer (5x7")

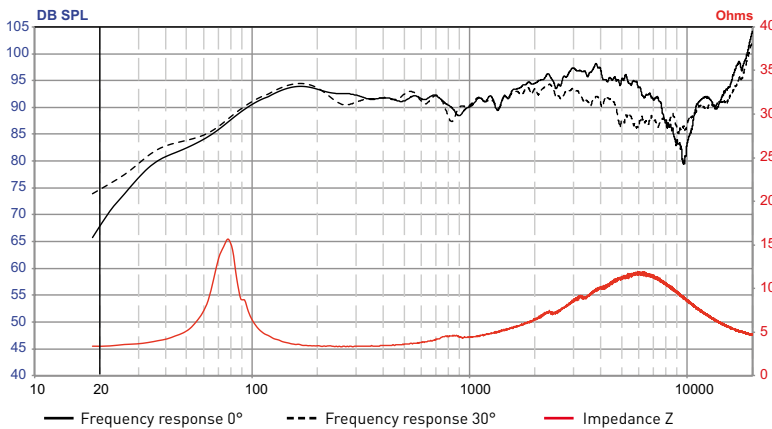


- Cone DFS®
- Compact steel basket
- TN43 inverted dome tweeter

## SPECIFICATIONS

Nominal power	60W	
Maximum power	120W	
Sensitivity (2,83V/1m)	92.8dB	
Cone	Glass fiber	
Surround	Butyl	
Nom. impedance	4 Ohms	
DC resistance	3 Ohms	
VC diameter	25mm	1"
VC height	11mm	0 <sup>7/16</sup> "
Former	Kapton	
Layers	2	
Wire	Copper	
Inductance	-	
Xmax	± 2.5mm	0 <sup>1/8</sup> "
Magnet d x h	85mm x 15mm	3 <sup>1/3</sup> x 0 <sup>9/16</sup> "
Magnet weight	380g	0.76 lbs
Flux density	1T	
Gap height	5mm	0 <sup>3/16</sup> "
Net weight	0.95kg	1.90 lbs

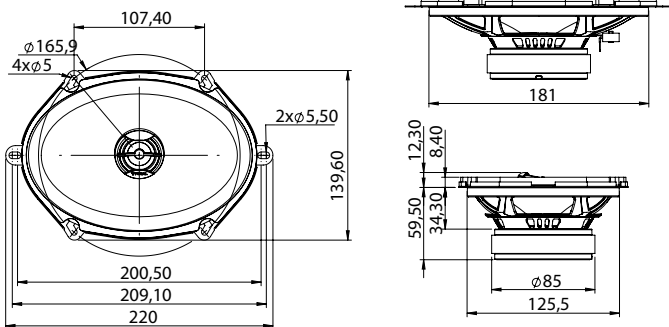
## FREQUENCY RESPONSE/IMPEDANCE



## PARAMETERS

Fs	78.9Hz
Vas	10.15 liters
Qts	0.881
Qes	1.04
Qms	5.77
Re	3 Ohms
Sd	153.93cm <sup>2</sup>
Cas	7,23E-08 m5/N
Mas	56,29 Kg/m4
Ras	4836,65 Ohms.ac
Cms	305µm/N
Mms	13.34g
Rms	1.146kg/s
Ces	699.29mF
Les	5.82mH
Res	16.64 Ohms
BI	4.37N/A
SPL	88.65 dB/W/m

## MECHANICAL DRAWING



**Performance**  
CREATE YOUR SOUND

**FOCAL**  
THE SPIRIT OF SOUND