

UNIVERSAL TIS 1.5

Tweeter



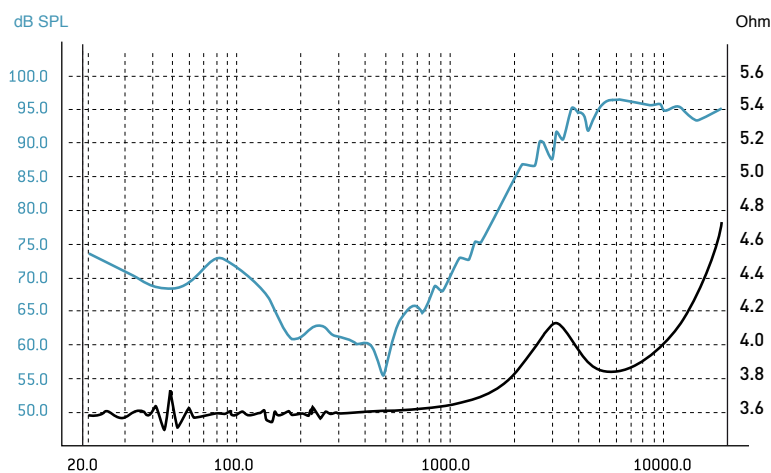
4 different mounting possibilities:

- Flush mounting
- Surface mounting
- Factory location
- Oriented support

SPECIFICATIONS

Nominal power	15W	
Maximum power	100W	
Sensitivity (2,83V/1m)	94dB	
Integrated crossover	6dB/oct	
Cone	Alu	
Surround	Cloth	
Nom. impedance	4 Ohms	
DC resistance	3.7 Ohms	
VC diameter	20mm	1 ^{3/16} "
Former	Kapton	
Layers	2	
Magnet	Neodymium	
Flux density	-	
Gap height	2.5mm	0 ^{1/8} "
Net weight	60g	0.3 lb

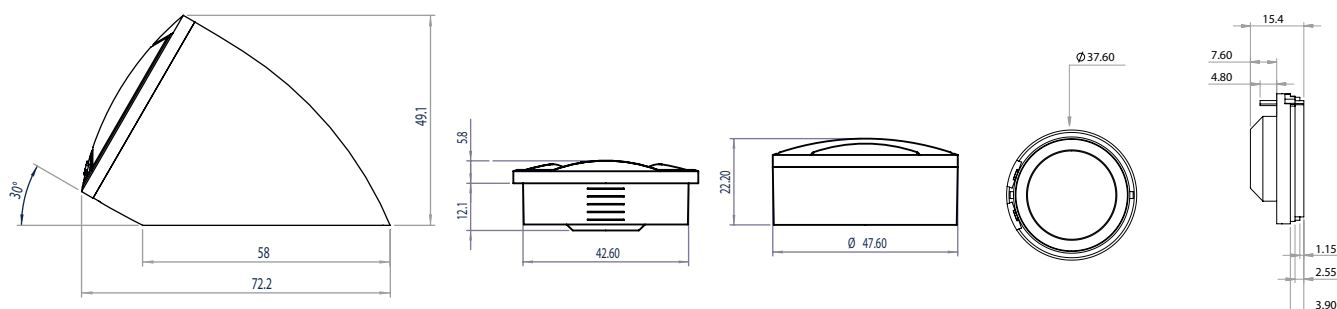
FREQUENCY RESPONSE/IMPEDANCE



PARAMETERS

Fs	113.44Hz
Re	3.7 Ohms
Sd	4.9cm ²
Res	4.1 Ohms
SPL	91dB/W/m

MECHANICAL DRAWING



Integration
INSTANT GRATIFICATION

FOCAL
THE SPIRIT OF SOUND