

UNIVERSAL ISC 100

2-way coaxial kit

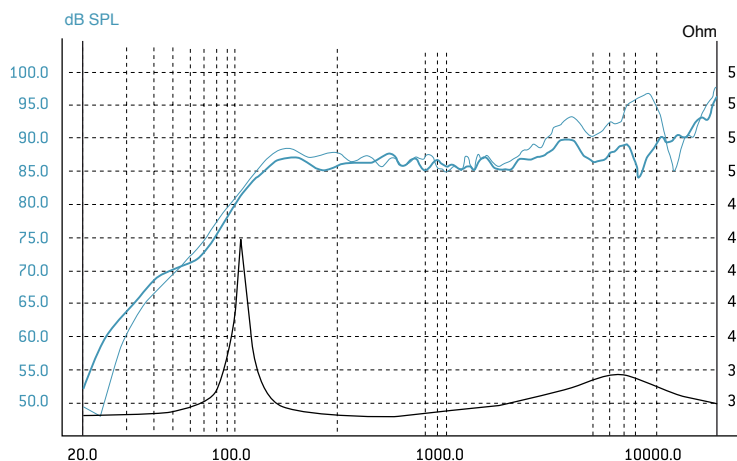


- Polyglass cone
- Reduced height
- Rotary inverted dome tweeter

SPECIFICATIONS

Nominal power	40W	
Maximum power	80W	
Sensitivity	90.3dB	
Cone	Polyglass	
Surround	Butyl	
Nom. impedance	4 Ohms	
DC resistance	2.8 Ohms	
VC diameter	25.5mm	1"
VC height	8.4mm	0 ^{1/3} "
Former	Kapton	
Layers	2	
Wire	Copper	
Inductance	0.09mH	
Xmax	2.5mm	0 ^{1/8} "
Magnet d x h	72 x 15mm	2 ^{13/16} x 0 ^{9/16} "
Magnet weight	160g	0.35lb
Flux density	-	
Gap height	3mm	0 ^{1/8} "
Net weight	500g	1.1lb

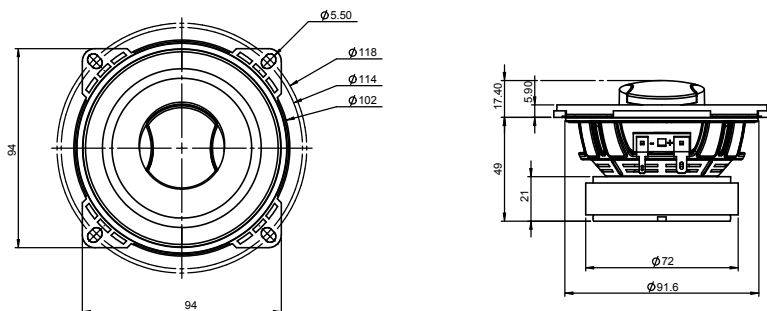
FREQUENCY RESPONSE/IMPEDANCE



PARAMETERS

Fs	114Hz
Vas	1.37 l
Qts	0.81
Qes	0.87
Qms	11.33
Re	2.8 Ohms
Sd	54.11cm ²
Cas	9.74 E-8m ⁵ /N
Mas	197.44kg/m ⁴
Ras	12566.49 Ohms.ac
Cms	333µm/N
Mms	5.78g
Rms	0.368kg/s
Ces	435.83mF
Les	4.41mH
Res	36.4 Ohms
BI	3.64N/A
SPL	85.55dB (Re)

MECHANICAL DRAWING



Integration
INSTANT GRATIFICATION

FOCAL
THE SPIRIT OF SOUND