

UNIVERSAL ISC 130

2-way coaxial kit

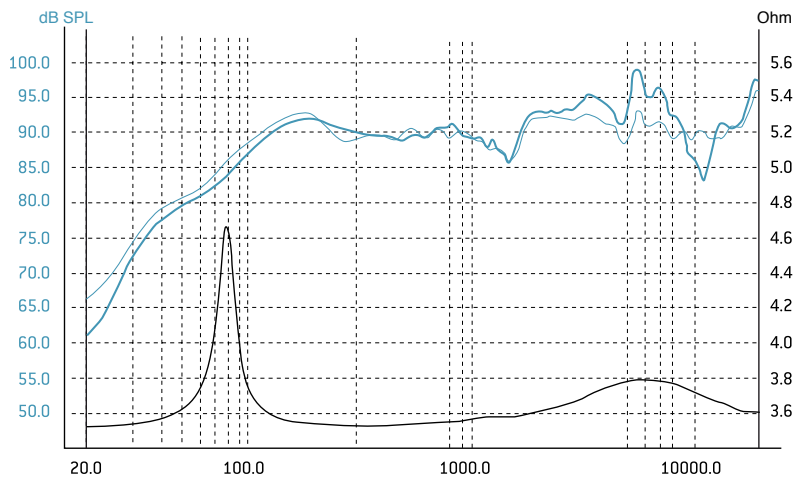


- Polyglass cone
- Reduced height
- Rotary inverted dome tweeter

SPECIFICATIONS

Nominal power	60W	
Maximum power	120W	
Sensitivity	91.8dB	
Cone	Polyglass	
Surround	Butyl	
Nom. impedance	4 Ohms	
DC resistance	2.8 Ohms	
VC diameter	25.5mm	1"
VC height	8.4mm	0 ^{1/3} "
Former	Kapton	
Layers	2	
Wire	Copper	
Inductance	0.21mH	
Xmax	2.5mm	0 ^{1/8} "
Magnet d x h	72 x 15mm	2 ^{13/16} x 0 ^{9/16} "
Magnet weight	160g	0.35lb
Flux density	-	
Gap height	3mm	0 ^{1/8} "
Net weight	550g	1.1lb

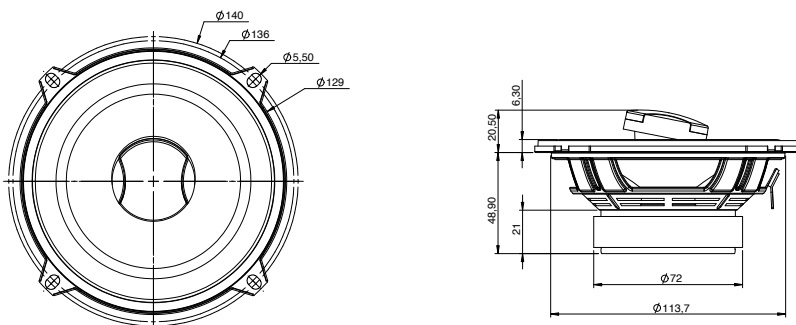
FREQUENCY RESPONSE/IMPEDANCE



PARAMETERS

Fs	96.03Hz
Vas	3.82 l
Qts	0.779
Qes	0.88
Qms	6.76
Re	2.8 Ohms
Sd	84.95cm ²
Cas	2.72 E-8m ⁵ /N
Mas	101.02kg/m ⁴
Ras	9016.84 Ohms.ac
Cms	377µm/N
Mms	7.29g
Rms	0.651kg/s
Ces	520.88mF
Les	5.27mH
Res	21.51 Ohms
BI	3.64N/A
SPL	87.69dB (Re)

MECHANICAL DRAWING



Integration
INSTANT GRATIFICATION

FOCAL
THE SPIRIT OF SOUND