

UNIVERSAL ISC 570

2-way coaxial kit

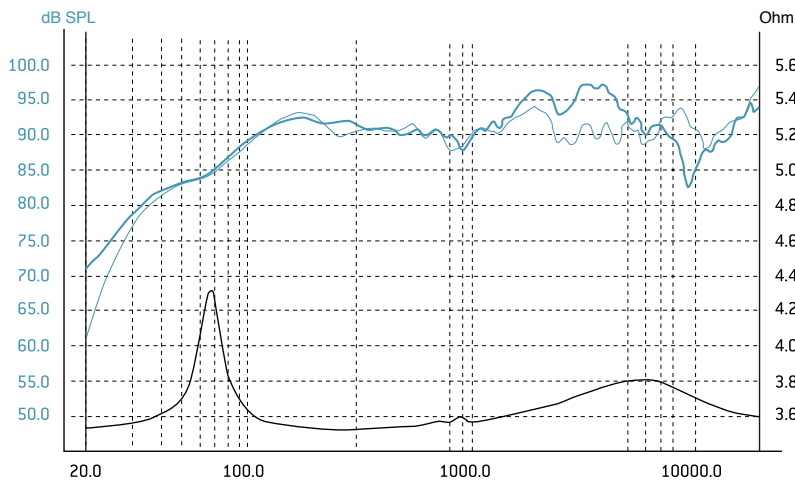


- Polyglass cone
- Reduced height
- Rotary inverted dome tweeter

SPECIFICATIONS

Nominal power	60W	
Maximum power	120W	
Sensitivity	94.1dB	
Cone	Polyglass	
Surround	Butyl	
Nom. impedance	4 Ohms	
DC resistance	2.8 Ohms	
VC diameter	25.5mm	1"
VC height	11mm	07/16"
Former	Kapton	
Layers	2	
Wire	Copper	
Inductance	0.11mH	
Xmax	23mm	07/8"
Magnet d x h	85 x 15mm	3 ¹ / ₃ x 0 ⁹ / ₁₆ "
Magnet weight	190g	0.42 lb
Flux density	-	
Gap height	5mm	03/16"
Net weight	950g	2.09lb

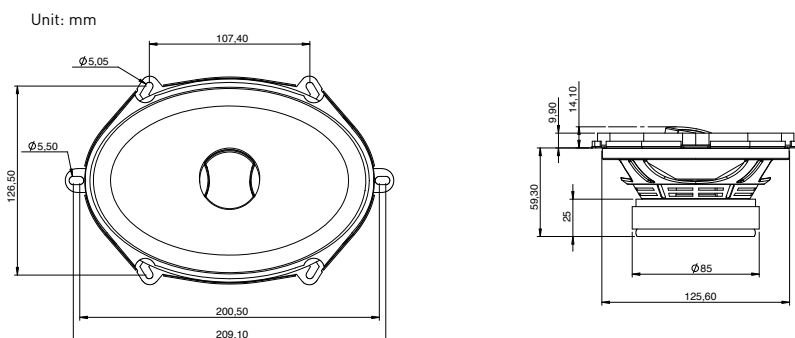
FREQUENCY RESPONSE/IMPEDANCE



PARAMETERS

Fs	74.12Hz
Vas	10.65 l
Qts	0.725
Qes	0.81
Qms	6.92
Re	2.8 Ohms
Sd	153.93cm ²
Cas	7.58 E-8m ⁵ /N
Mas	60.81kg/m ⁴
Ras	4092.43 Ohms.ac
Cms	320µm/N
Mms	14.41g
Rms	0.97kg/s
Ces	621.17mF
Les	7.42mH
Res	23.92 Ohms
Bl	4.82N/A
SPL	89.13dB (Re)

MECHANICAL DRAWING



Integration
INSTANT GRATIFICATION

FOCAL
THE SPIRIT OF SOUND