

UNIVERSAL ISN 130

2 way kit

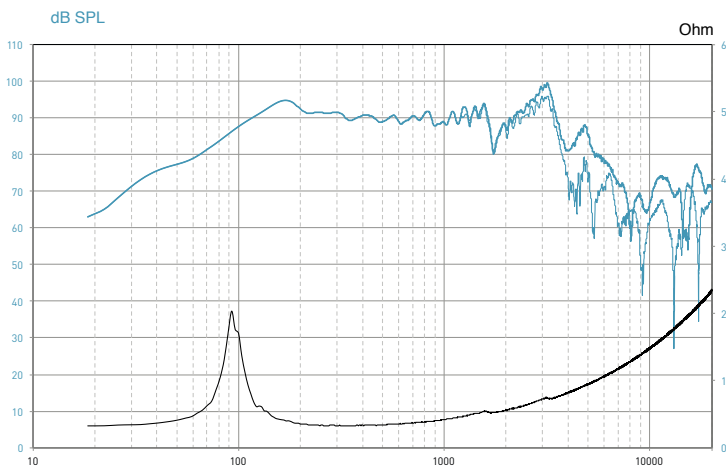


- ABS chassis
- Polyglass cone, Butyl surround
- Neodymium magnet
- Removable fixing clips

SPECIFICATIONS

Nominal power	50W	
Maximum power	100W	
Sensitivity (2,83V/1m)	91.7dB	
Cone	Polyglass	
Surround	Butyl	
Nom. impedance	4 Ohms	
DC resistance	2.75 Ohms	
VC diameter	32mm	1"
VC height	10.5mm	0 ⁵ / ₁₆ "
Former	Kapton	
Layers	2	
Wire	Copper	
Inductance	0.17mH	
Xmax	2.75mm	0 ¹ / ₈ "
Magnet d x h	1.5mm x 5.5mm	-
Magnet weight	30g	-
Flux density	1.T	
Gap height	5mm	0 ³ / ₁₆ "
Net weight	350g	0.70 lb

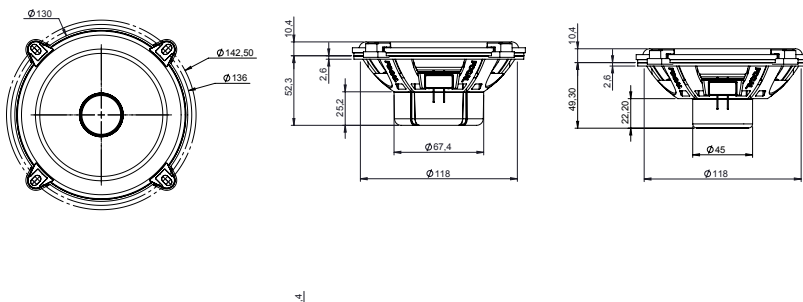
FREQUENCY RESPONSE/IMPEDANCE



PARAMETERS

Fs	95.48Hz
Vas	3.34 l
Qts	0.778
Qes	0.86
Qms	8.17
Re	2.75 Ohms
Sd	93.31cm ²
Cas	2.38 E-08m ⁵ /N
Mas	116.8kg/m ⁴
Ras	576.41 Ohms.ac
Cms	2.73 E-04m/N
Mms	10.17g
Rms	0.747kg/s
Ces	521.28 mF
Les	5.33mH
Res	26.13 Ohms
BI	4.42N/A
SPL	87.13 dB/W/m

MECHANICAL DRAWING



Integration
INSTANT GRATIFICATION

FOCAL
THE SPIRIT OF SOUND