

# FPP 2100



## 2 channel class AB power amplifier

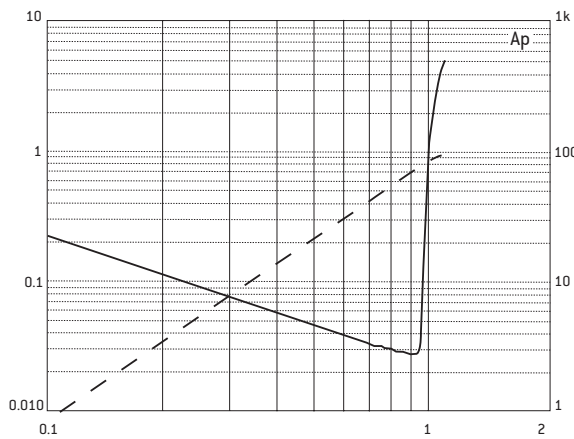


- "Auto Power On" on the high-level input
- High and low level inputs
- Stable into 2 Ohms (stereo mode)
- Pseudo-balanced RCA input

### PRELIMINARY SPECIFICATIONS

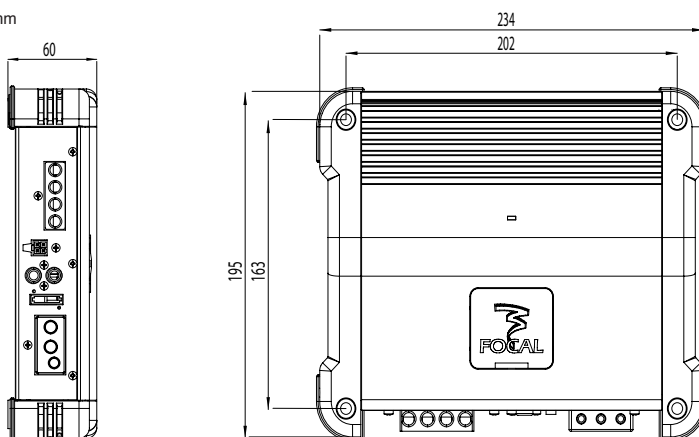
Nominal power measured into 4Ω	2x100W
Nominal power measured into 2Ω	2x140W
Power in bridged mode	1x260W
Signal/noise ratio	> 80dB A
Damping factor into 4Ω	100 at 1kHz
Frequency response (-1dB)	10Hz – 60kHz
Input impedance	20kΩ
Input sensitivity	0.2 – 5V
Input sensitivity high level	0.4 - 9Vrms
High-pass crossover (1/2 and 3/4 channels)	50 – 150Hz (12 dB/oct.)
Low-pass crossover (sub channel)	50 – 150Hz (12 dB/oct.)
Remote control (sub channel)	No
Adjustable bass boost level	No
Variable phase (SUB)	No
Subsonic filter	No
Maximum cross section of loudspeaker cables	10mm <sup>2</sup> 7 AWG
Maximum cross section of power cables	25mm <sup>2</sup> 3 AWG
Protections	Short-circuit Thermal overload Overvoltage Polarity reversal
Dimensions (HxWxD)	23/8x83/16x711/16 (60x234x195mm)

### THD



### MECHANICAL DRAWING

Unit: mm



Rms power - 14.4V  
4Ω - THD+N < 1% (CEA 2006) 2x80W