

FPS 1500

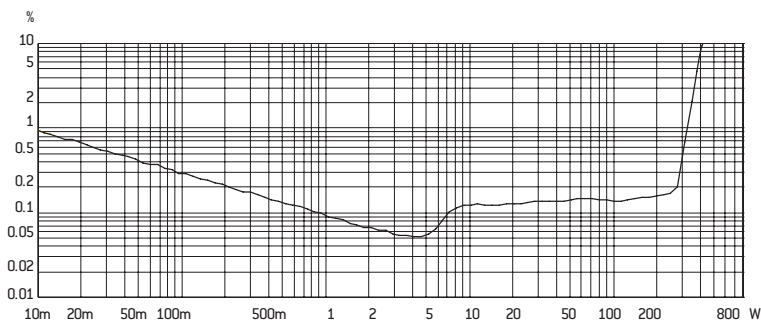
Audiophile, Powerful... Always

- Class D amplifier
- Direct mode
- Low-pass crossover
- Controlled cooling system

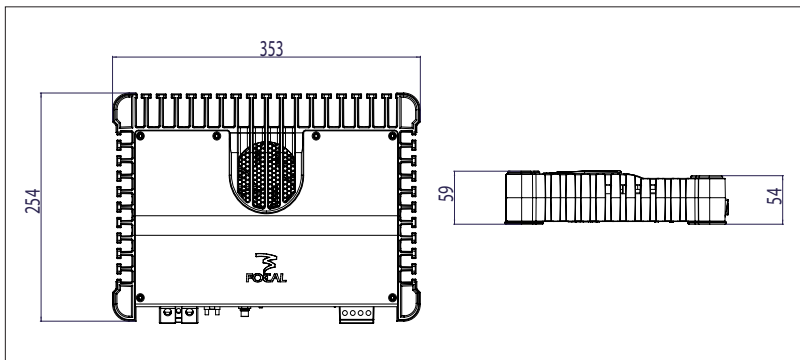


THD / Power

FPS 1500 measured at 14,4V/4ohms/1V/100Hz



Mechanical Drawing

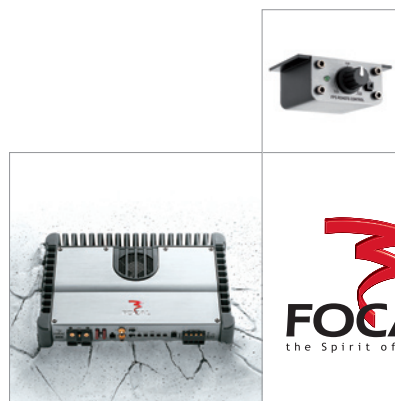


Specifications

RMS power - 14.4V 4Ω - THD+N < 1% (CEA 2006)	1 x 325W
RMS power - 14.4V 2Ω - THD+N < 1%	1 x 550W
RMS power - 14.4V 1Ω - THD+N < 1%	1 x 800W
RMS power in bridged mode - 14.4V 4Ω - THD+N < 1%	-
RMS power in bridged mode - 14.4V 2Ω - THD+N < 1%	-
Frequency response (-1dB) in direct mode	10Hz - 2.5kHz
Signal/noise ratio (@CEA power)	87dBA
Distortion into 4 Ohms @1kHz (with 22kHz low-pass)	-
Distortion into 4 Ohms @100Hz (with 22kHz low-pass)	< 0.15% between 5 and 270W
Crosstalk (@ 1kHz - 10V - 4 Ohms)	-
Damping factor into 4 Ω at 100Hz	220
Input sensitivity	0.2V - 5.2V
High-pass crossover	-
Low-pass crossover	50Hz - 500Hz
Bandpass crossover	-
Subsonic crossover	Variable from 20 to 50Hz (24dB/oct.) released
Direct mode	Yes
Bass boost level	0/+9dB linear
Bass Boost center frequency	45Hz
Variable phase (SUB)	0-180° linear
Remote control	Yes
Protections	Short-circuit Thermal overload (76°C) Soft clipping High voltage Polarity reversal
Dimensions (H x L x D)	59 x 353 x 254mm

Focal® is a trademark of Focal-JMlab® - BP 374 - 108, rue de l'Avenir - 42353 La Talaudière cedex France - Tél. (33) 04 77 43 57 00 - Fax (33) 04 77 37 65 87 - www.focal-fr.com - SCAZ100418/1

Due to constant technological advances, Focal reserves its right to modify specifications without notice. Images may not conform exactly to specific product.



FOCAL
the Spirit of Sound