

AUDITOR RCX-570

Woofer (5x7")

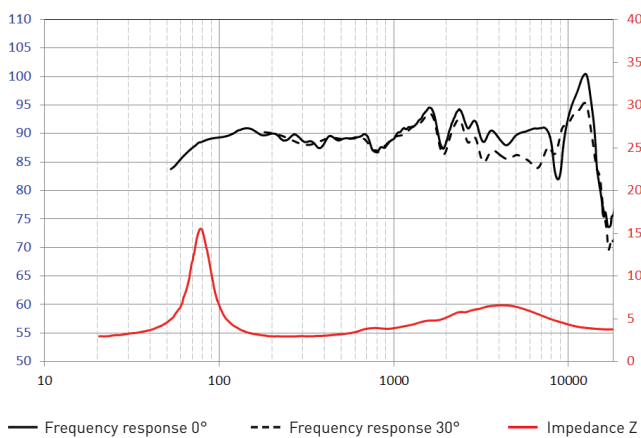


- Inverted dome tweeter
- Polypropylene cone
- Steel basket

SPECIFICATIONS

Nominal power	60W RMS	
Maximum power	120W	
Sensitivity (2,83V/1m)	91.6dB	
Frequency response	60Hz-21kHz	
Cone type	Polypropylene	
Surround type	Butyl	
Nom. impedance	4Ω	
DC resistance	2.8Ω	
VC diameter	25mm	1"
Net weight	1000g	2.20lbs

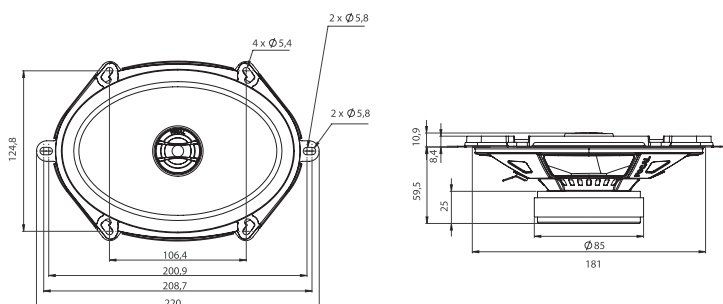
FREQUENCY RESPONSE/IMPEDANCE



PARAMETERS

Fs	80Hz
Vas	9l
Qts	0.83
Qes	1
Qms	5
Re	2.8Ω
Sd	150cm ²
Cms	0.25mm/N
Mms	16g
Bl	4.8 N/A

MECHANICAL DRAWING



Performance
CREATE YOUR SOUND

FOCAL