

AUDITOR RSE-130

Woofer (5")

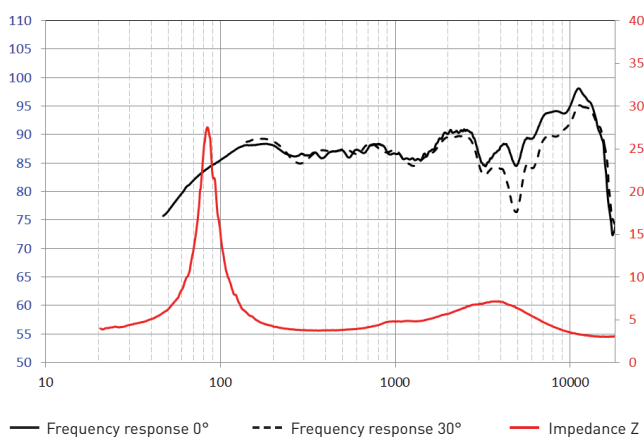


- Polypropylene cone
- Steel basket

SPECIFICATIONS

Nominal power	50W RMS	
Maximum power	100W	
Sensitivity (2,83V/1m)	90dB	
Frequency response	65Hz-21kHz	
Cone type	Polypropylene	
Surround type	Butyl	
Nom. impedance	4Ω	
DC resistance	3.3Ω	
VC diameter	25mm	1"
Net weight	700g	1.54lbs

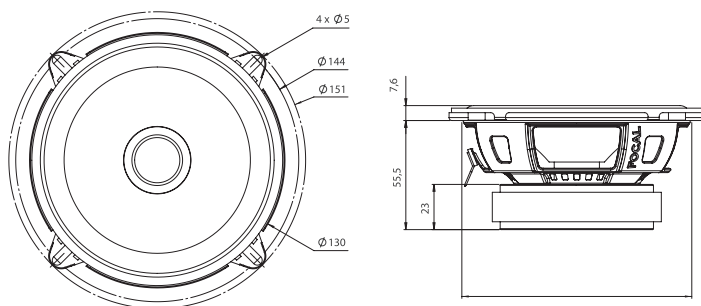
FREQUENCY RESPONSE/IMPEDANCE



PARAMETERS

Fs	95Hz
Vas	7l
Qts	0.9
Qes	1
Qms	8
Re	3.3Ω
Sd	78cm ²
Cms	0.3mm/N
Mms	9.8g
BI	4.5 N/A

MECHANICAL DRAWING



Performance
CREATE YOUR SOUND

FOCAL