

INTEGRATION ISS 200

2-way component kit

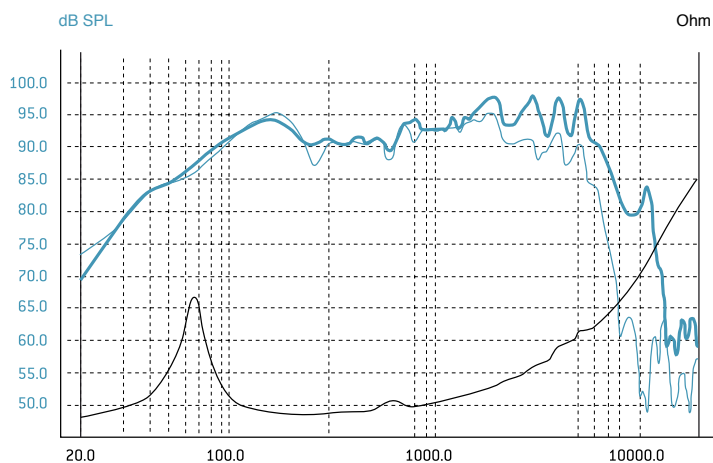


- Polyglass cone
- Reduced height

SPECIFICATIONS

Nominal power	80W	
Maximum power	160W	
Sensitivity	91.4dB	
Cone	Polyglass	
Surround	Butyl	
Nom. impedance	4 Ohms	
DC resistance	3.1 Ohms	
VC diameter	25.5mm	1"
VC height	12.2mm	0 ¹ / ₂ "
Former	Kapton	
Layers	2	
Wire	Copper	
Inductance	0.16mH	
Xmax	3.6mm	0 ¹ / ₈ "
Magnet d x h	90x17mm	3 ⁹ / ₁₆ x 0 ² / ₃ "
Magnet weight	280g	0.62lb
Flux density	-	
Gap height	3mm	0 ¹ / ₈ "
Net weight	1050g	2.31lb

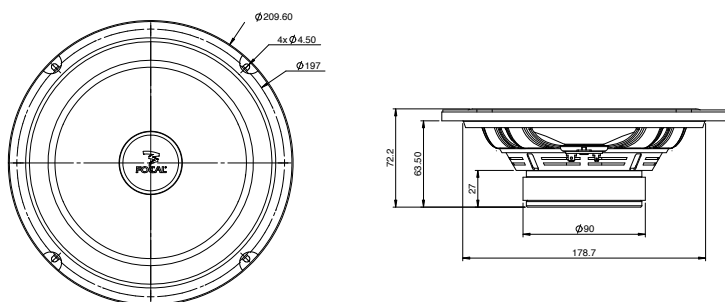
FREQUENCY RESPONSE/IMPEDANCE



PARAMETERS

Fs	65.76Hz
Vas	17.65 l
Qts	1.1
Qes	1.45
Qms	4.61
Re	3.06 Ohms
Sd	213.82cm ²
Cas	1.26 E-8m ⁵ /N
Mas	46.63 kg/m ⁴
Ras	4179.39 Ohms.ac
Cms	275µm/N
Mms	21.314g
Rms	1.911kg/s
Ces	1169.78mF
Les	5.01mH
Res	9.72 Ohms
BI	4.31 N/A
SPL	87.20 dB (Re)

MECHANICAL DRAWING



Integration
INSTANT GRATIFICATION

FOCAL
THE SPIRIT OF SOUND