

UNIVERSAL ISU130

Technical Sheet

Woofer

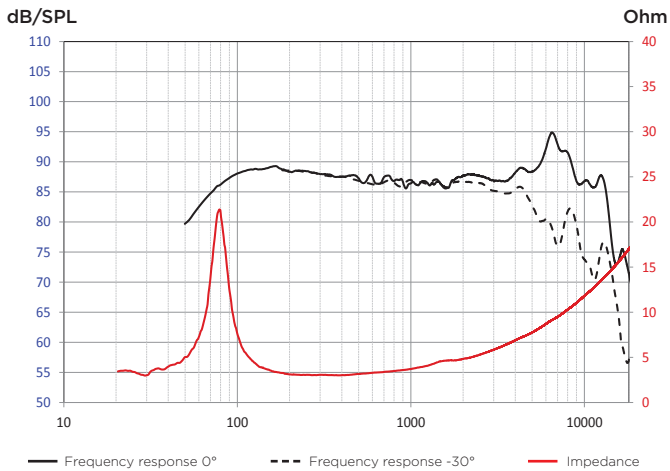


- Polyglass cone
- Reduced height

SPECIFICATIONS

Nominal power	60W RMS	
Maximum power	120W	
Sensitivity (2,83V/1m)	91.8dB	
Frequency response	90Hz-21kHz	
Cone type	Polyglass	
Surround type	Butyl	
Nom. impedance	4Ω	
VC diameter	25mm	1"
Net weight	550g	1.2lbs

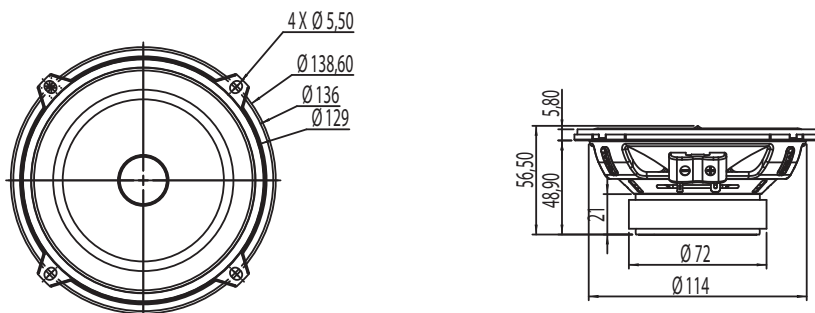
FREQUENCY RESPONSE/IMPEDANCE



PARAMETERS

Fs	80Hz
Vas	5l
Qts	0.75
Qes	0.85
Qms	6
Re	2.7Ω
Sd	84cm ²
Cms	0.5mm/N
Mms	8.2g
Bl	3.6N/A

MECHANICAL DRAWING



Integration
INSTANT GRATIFICATION