

UNIVERSAL ISU570

Technical Sheet

Woofer

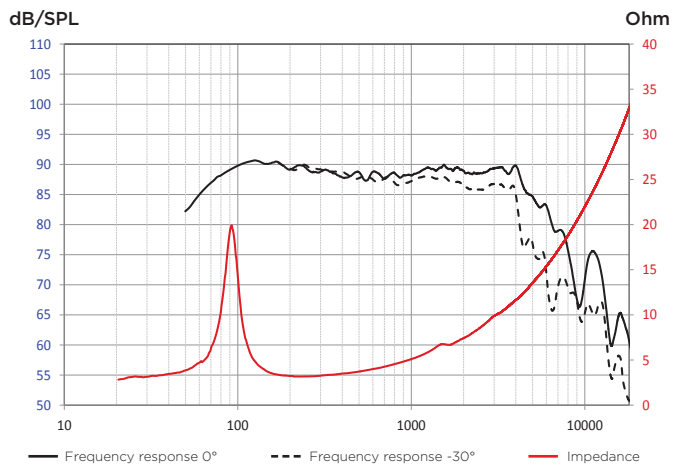


- Polyglass cone
- Reduced height

SPECIFICATIONS

Nominal power	70W RMS	
Maximum power	140W	
Sensitivity (2,83V/1m)	94dB	
Frequency response	60Hz-21kHz	
Cone type	Polyglass	
Surround type	Butyl	
Nom. impedance	4Ω	
VC diameter	25mm	1"
Net weight	950g	2.7lbs

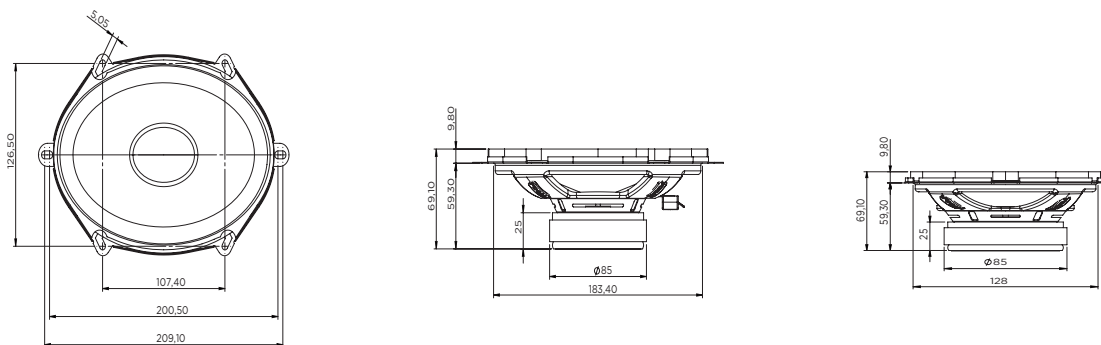
FREQUENCY RESPONSE/IMPEDANCE



PARAMETERS

Fs	82Hz
Vas	7l
Qts	0.9
Qes	1
Qms	7
Re	2.8Ω
Sd	153cm ²
Cms	0.29mm/N
Mms	12.8g
Bl	4.3N/A

MECHANICAL DRAWING



Integration
INSTANT GRATIFICATION

Focal America - Tel 1 (888) 340 4403 - www.Focal-America.com - @FocalAmerica

FOCAL[®]
LISTEN BEYOND