

UTOPIA 165W-XP

Technical Sheet

Tweeter

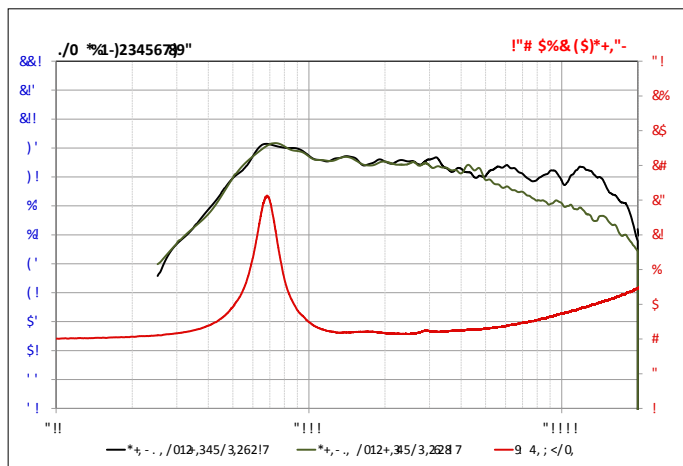


- Beryllium inverted dome
- Flush mounting support included

SPECIFICATIONS

Nominal power	15W	
Maximum power	150W	
Sensitivity (2.83V/1m)	94dB	
Nom. impedance	4Ω	
Dome	Pure Beryllium	
Surround	Poron	
DC resistance	4Ω	
VC diameter	20mm	0.13/16"
Former	Kapton	
Layers	2	
Wire	Alu	
Net weight	150g	0.1lbs

FREQUENCY RESPONSE/IMPEDANCE

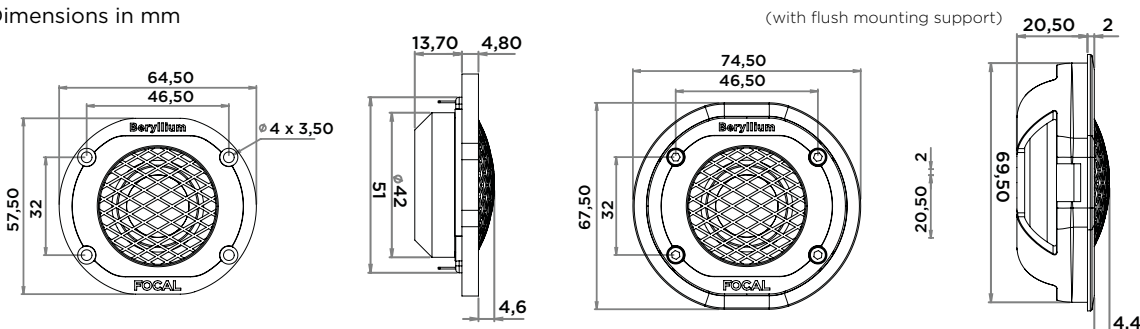


PARAMETERS

Rdc	4Ω
Fs	1,350Hz

MECHANICAL DRAWING

Dimensions in mm



UTOPIA

165W-XP

Technical Sheet

Woofer 6¹/₂"

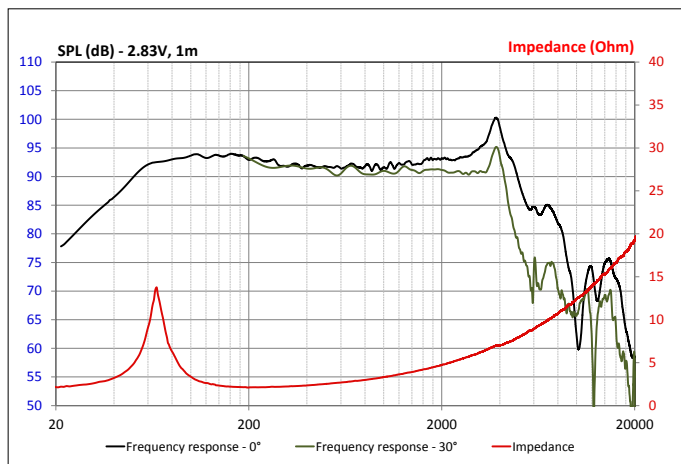


- 'W' cone sandwich
- 'TMD' surround
- Aluminium basket

SPECIFICATIONS

Nominal power	100W
Maximum power	200W
Sensitivity (2.83V/1m)	93dB
Nom. impedance	2Ω
Cone	'W'
Surround	Butyl
DC resistance	1.8Ω
VC diameter	32mm 1 ¹ / ₄ "
Former	Kapton
Layers	2
Wire	CCAW
Net weight	1,400g 3.1lbs

FREQUENCY RESPONSE/IMPEDANCE



PARAMETERS

Rdc	1,9Ω
Fs	58.5Hz
Mms	16.3g
Cms	0.454mm/N
Vas	11.31l
Qts	0.6
Qes	0.665
Qms	5.52
Bxl	4.19N/A
Sd	132.73cm ²
SPL	89dB
Xmax	4.5mm

MECHANICAL DRAWING

Dimensions in mm

