

HDA 165 98-2013

Technical Sheet

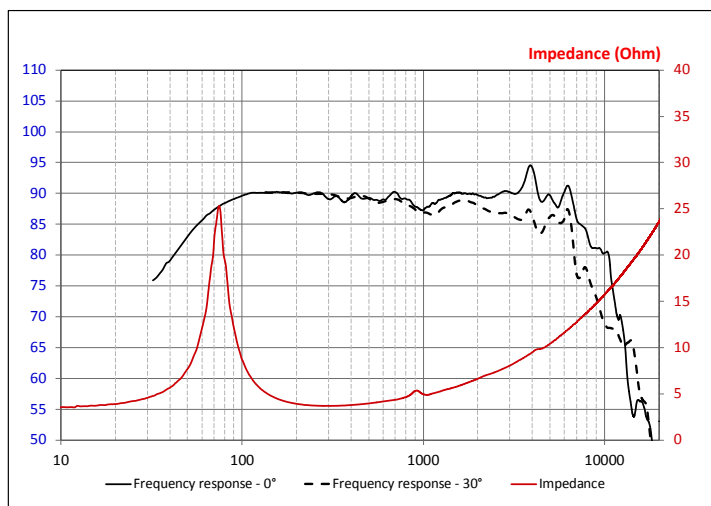
Woofer



SPECIFICATIONS

Nominal power	80 W
Maximum power	160 W
Sensitivity	91 dB
Nom. impedance	4 Ω
Cone	DFS
Surround	Butyl
DC resistance	3.5 Ω
VC diameter	25 mm 1"
Former	Kapton
Layers	2
Wire	Copper
Net weight	850 g 1.87lbs

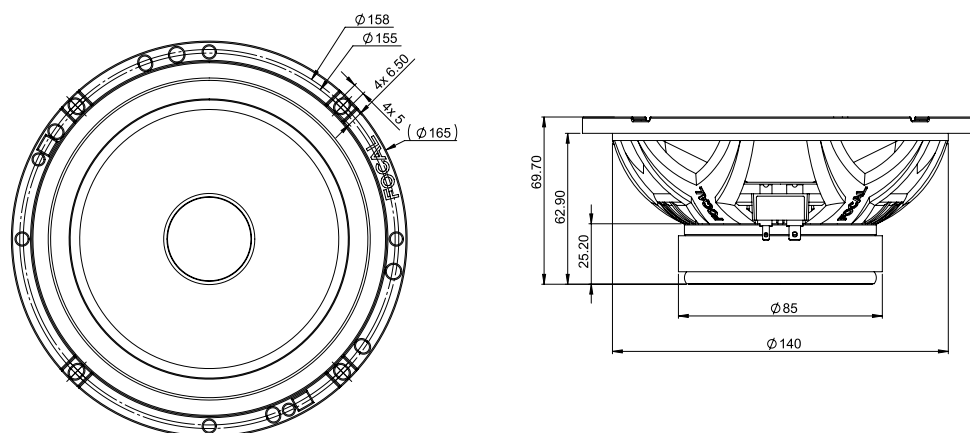
FREQUENCY RESPONSE/IMPEDANCE



PARAMETERS

Rdc	3.5 Ω
Fs	70 Hz
Mms	14 g
Cms	0.34 mm/N
Vas	8.9 l
Qts	0.9
Qes	1.03
Qms	7.5
Bxl	4.7 N/A
Sd	136 cm
SPL	91 dB
Xmax	3 mm

MECHANICAL DRAWING



FOCAL® INSIDE

Focal America | Camarillo, CA | 888.340.4403 | www.focal-america.com

FOCAL®
LISTEN BEYOND

HDA 165 98-2013

Technical Sheet

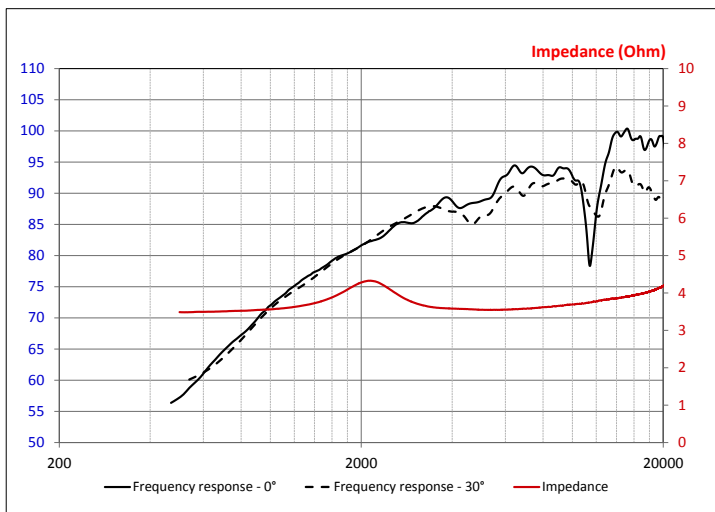
Tweeter



SPECIFICATIONS

Nominal power	20 W
Maximum power	200 W
Sensitivity	95 dB
Nom. impedance	4 Ω
Cone	Aluminium
Surround	Poron
DC resistance	3.5 Ω
VC diameter	20 mm ^{13/16} »
Former	Kapton
Layers	2
Wire	Alu
Net weight	60 g 0.13lb

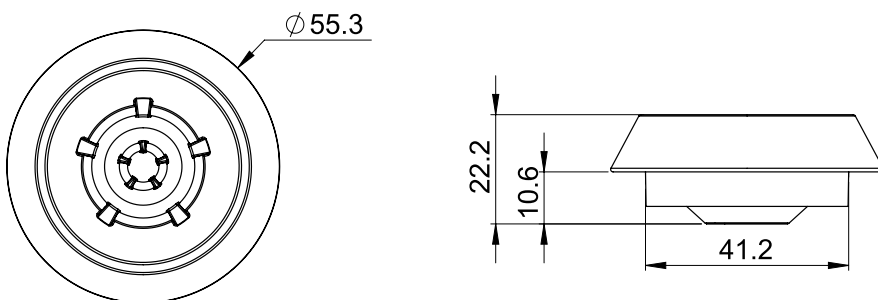
FREQUENCY RESPONSE/IMPEDANCE



PARAMETERS

Rdc	3.5 Ω
Fs	2000 Hz

MECHANICAL DRAWING



FOCAL® *INSIDE*

Focal America | Camarillo, CA | 888.340.4403 | www.focal-america.com

FOCAL®
LISTEN BEYOND