

FLAX EVO

P 25 FE

Technical Sheet

10" (250mm) Subwoofer

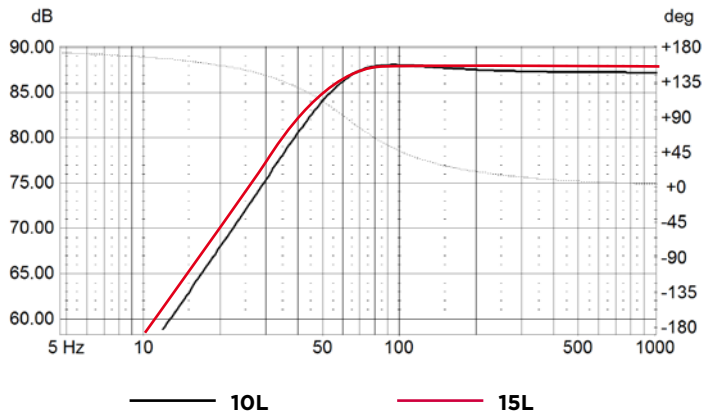


SPECIFICATIONS

Nominal power	300W RMS	
Maximum power	600W	
Sensitivity (2.83V/1m)	85dB	
Cone	Flax	
Surround	Rubber	
Nom. impedance	4Ohms	
DC resistance	3.7Ohms	
VC diameter	50mm	2"
VC height	35mm	1 ³ / ₈ "
Former	Glass Fiber	
Layers	4	
Wire	Copper	
Inductance	2.7mH	
Xmax	14mm	0 ⁹ / ₁₆ "
Magnet dxh (mm)	145 x 40mm	5 ¹¹ / ₁₆ " x 1 ⁹ / ₁₆ "
Flux density	0.75T	
Gap height	8mm	0 ⁵ / ₁₆ "
Net weight	5,400g	10.8 lbs

FREQUENCY RESPONSE / IMPEDANCE

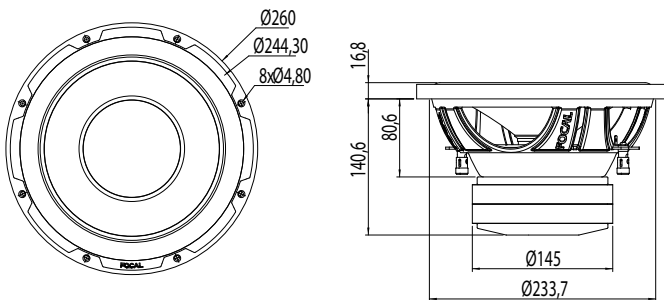
Sealed enclosure



PARAMETERS

Fs	31Hz	
Vas	29L	
Qts	0.45	
Qes	0.51	
Qms	4.5	
Re	3.7Ohms	
Sd	347cm ²	
Cms	0.17mm/N	
Mms	145g	
BL	14.8N/A	
SPL	85dB	

MECHANICAL DRAWING



SUGGESTED APPLICATION

Ported enclosure

Volume	F-3 (Hz)	Ø port	Port length
25L (0.88 cu.ft.)	33 Hz	8 cm - 3 ⁵ / ₃₂ "	35 cm - 13 ²⁵ / ₃₂ "
30L (1.05 cu.ft.)	30 Hz	8 cm - 3 ⁵ / ₃₂ "	45 cm - 17 ²³ / ₃₂ "
35L (1.23 cu.ft.)	27 Hz	8 cm - 3 ⁵ / ₃₂ "	45 cm - 17 ²³ / ₃₂ "

Sealed enclosure

Volume	F-3 (Hz)
10L (0.35 cu.ft.)	52 Hz
15L (0.52 cu.ft.)	50 Hz
20L (0.70 cu.ft.)	48 Hz
25L (0.88 cu.ft.)	47 Hz