

IS RNI 690

Technical Sheet

Woofer

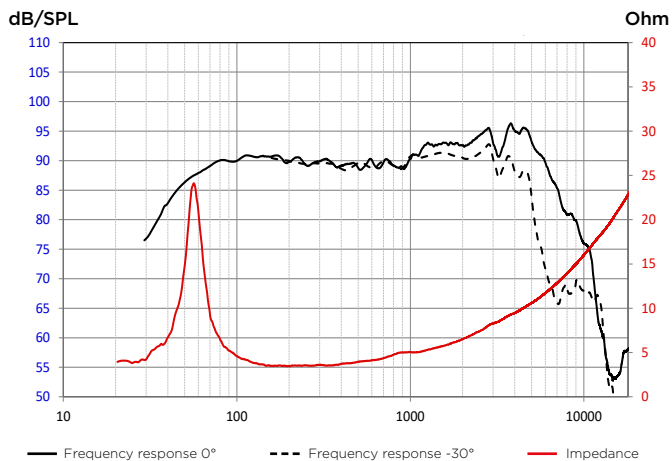


- Polyglass cone
- Reduced height

SPECIFICATIONS

Nominal power	80W RMS	
Maximum power	160W	
Sensitivity (2,83V/1m)	93.6dB	
Frequency response	55Hz-21kHz	
Cone type	Polyglass	
Surround type	Butyl	
Nom. impedance	4Ω	
VC diameter	25mm	1"
Net weight	1.25kg	2.7lbs

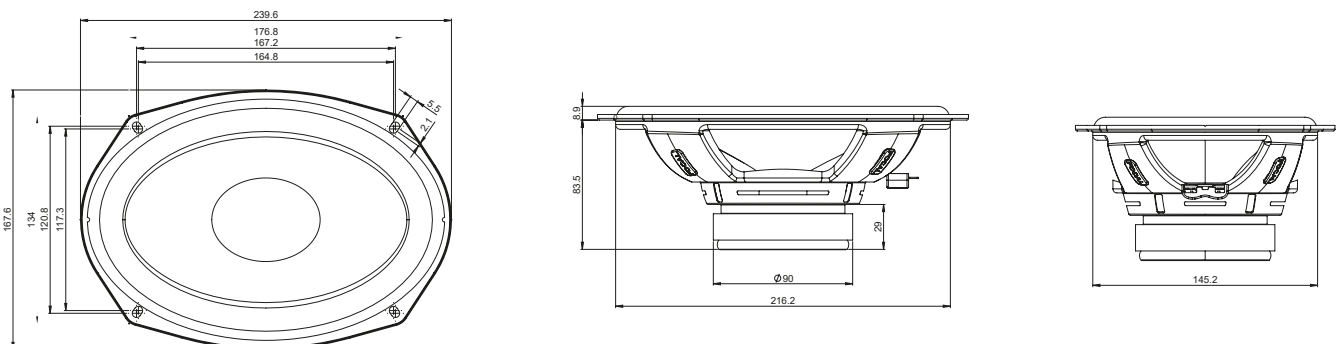
FREQUENCY RESPONSE/IMPEDANCE



PARAMETERS

Fs	57Hz
Vas	24l
Qts	0.74
Qes	0.81
Qms	8
Re	3.2Ω
Sd	210cm ²
Cms	0.39mm/N
Mms	20g
Bl	5.3N/A

MECHANICAL DRAWING



FOCAL® INSIDE

Focal® is a trademark of Focal-JMLab® - www.focal.com - SCAA190319/1

FOCAL®
LISTEN BEYOND