

7 V (170 V WOOFER KIT)

6-11/16" Polyglass woofer

- Made for Japanese cars
- Plug in and listen
- High sensitivity



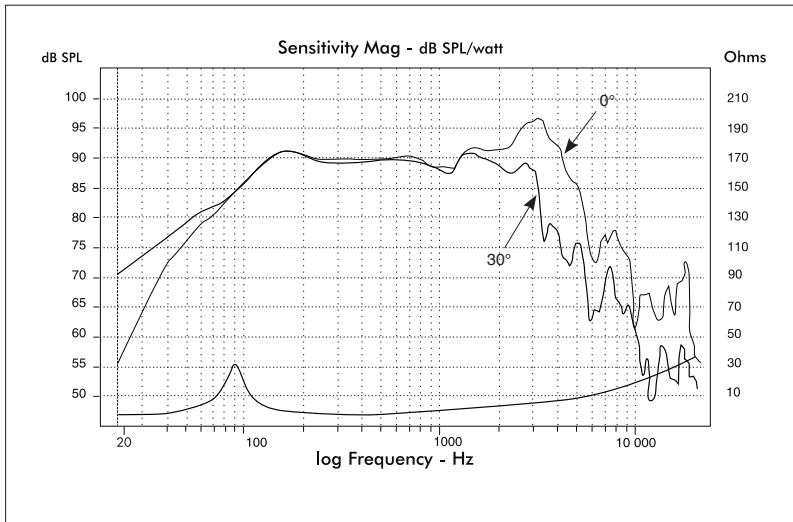
Specifications

Nominal power	60W	
Maximum power	120W	
Sensitivity	91 dB	
Cone	Polyglass	
Surround	Rubber	
Nom. impedance	4 ohms	
DC resistance	3,28 ohms	
VC diameter	30,5 mm	1-3/16 in
VC height	7,6 mm	0-5/16 in
Former	Glass fiber	
Layers	2	
Wire	Copper	
Inductance	0,17mH	
Xmax	5mm	0-3/16 in
Magnet	80x15mm	3-1/8 in x 0-9/16 in
Magnet weight	585g	1,17 lb
Flux density	1,1T	
Gap height	4mm	0-3/16 in
Net weight	750g	1,5 lb

Parameters

Fs	76,97 Hz	
Vas	8,13 liters	0,29Ft ³
Qts	0,68	
Qes	0,81	
Qms	4,29	
Re	3,28 Ohms	
Sd	126,68 cm ²	
Cas	5,79E-8 m ² /N	
Mas	73,85 Kg/m ⁴	
Ras	8324,68 ohms.ac	
Cms	3,61E-4 m/N	
Mms	11,85 g	0,031b
Rms	1,336 Kg/s	
Ces	510,63 mF	
Les	8,37 mH	
Res	17,37 ohms	
Bl	4,82 N/A	
SPL	88,45 dB	

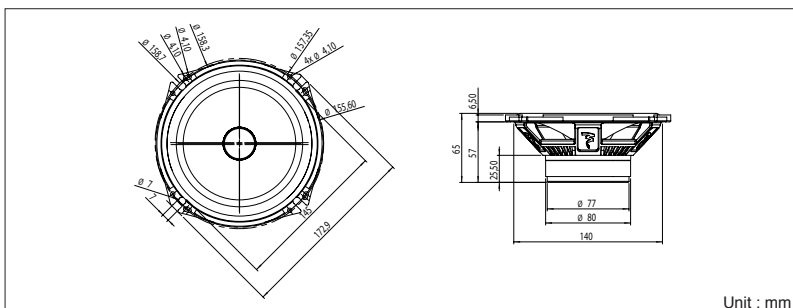
Frequency Response / Impedance



Suggested application

Load	V (l)	Fb (Hz)	F-3 (Hz)	Ql
Sealed	30	-	81	7

Mechanical Drawing



©Focal-JMlab - DB0804 18/1

Focal® is a trademark of Focal-JMlab® - BP 374 - 108, rue de l'Avenir - 42353 La Taubaudière cedex France - Tél. (33) 04 77 43 57 00 - Fax (33) 04 77 37 65 87 - www.focal-fr.com - SCAZ090609/1

