

33 V2

330mm Polyglass subwoofer



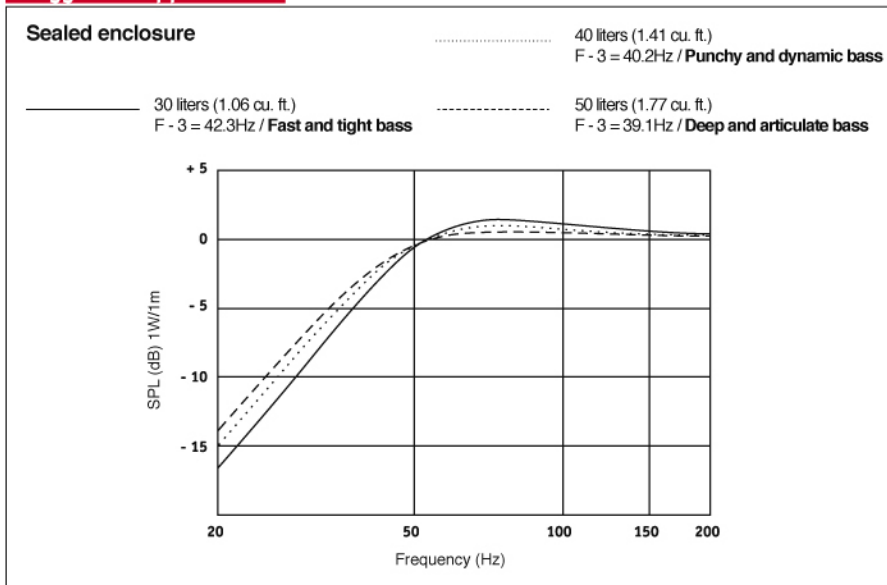
- Zamak chassis, 4 layers Kapton former voice-coil
- Polyglass cone, Butyl surround
- High power handling
- Deep frequency in small sealed box



Specifications

Nominal power	400 W	
Maximum power	800 W	
Sensitivity	90 dB	
Cone	Polyglass	
Surround	Butyl	
Nom. impedance	2 x 4 ohms	
DC resistance	2.1 ohms	
VC diameter	65 mm	2 ^{9/16} in
VC height	32 mm	1 ^{1/4} in
Former	Aluminium	
Layers	4	
Wire	Copper	
Inductance	2.6 mH	
Xmax	11 mm	
Magnet d x h	155 x 40 mm	6 ^{1/8} x 1 ^{9/16} in
Magnet weight	6400 g	14.1 lb
Flux density	0.75 T	
Gap height	10 mm	3/8 in
Net weight	8.4 kg	18.51 lb

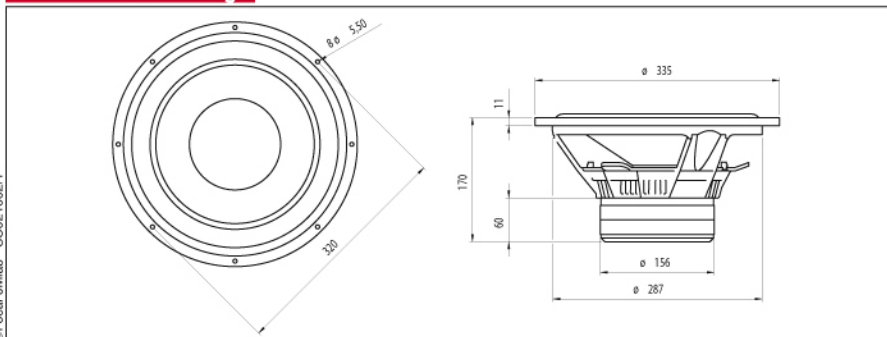
Suggested Application



Parameters

Fs	28.71 Hz	
Vas	76.18 l	2.69 Ft ³
Qts	0.537	
Qes	0.610	
Qms	4.510	
Re	2.1 ohms	
Sd	530.93 cm ²	82.29 in ²
Cas	5.42E-07 m ⁵ /N	
Mas	56.66 kg/m ⁴	
Ras	2266.19 ohms.ac	
Cms	1.92E-04 m/N	
Mms	159.71 g	0.35 lb
Rms	6.388 Kg/s	
Ces	1610.27 mF	
Les	19.08 mH	
Res	15.53 ohms	
Bl	9.96 N/A	
SPL	86.55 dB/W/m	

Mechanical Drawing



Suggested application

Load	V (l)	Fb (Hz)	F-3 (Hz)	Ql
Vented	-	-	-	-
Sealed	-	-	-	-

Focal® is a trademark of Focal-JMLab®