

P60 LIMITED EDITION

P60 WF

Technical Sheet

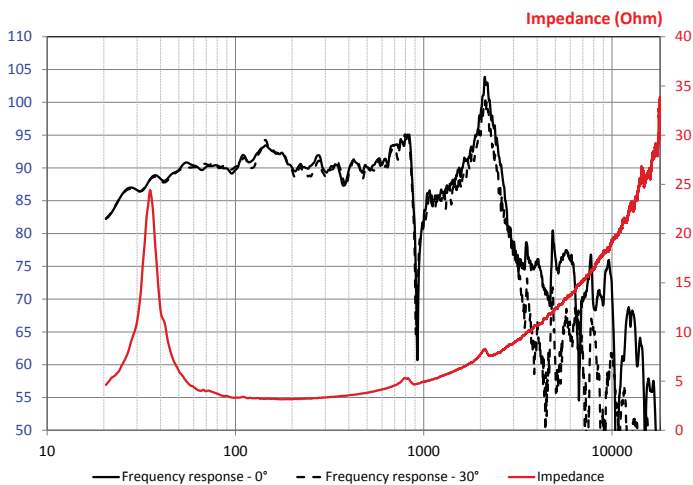
8" woofer



SPECIFICATIONS

Nominal power	100W	
Maximum power	200W	
Sensitivity	91dB	
Nom. impedance	4Ω	
Frequency response	35Hz-500Hz	
Cone	W	
Surround	Butyl	
VC diameter	40mm	1 ⁵ / ₈ "
Net weight	1200g	2.65lbs
Depth	50mm	1 ⁵ / ₈ "
Cone diameter	20cm	8"
Magnet	Neodymium	

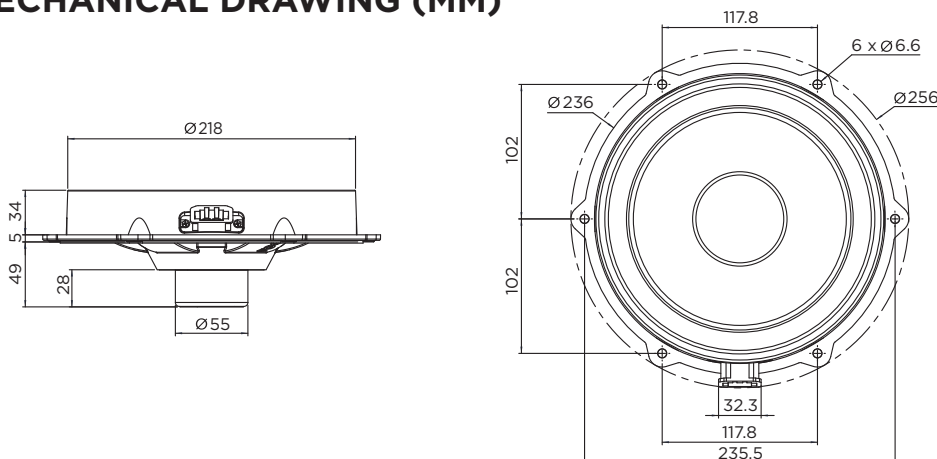
FREQUENCY RESPONSE/IMPEDANCE



PARAMETERS

Rdc	3.06Ω	
Fs	39.5Hz	
Mms	40g	0.09lb
Cms	0.4mm/N	
Vas	41.54l	
Qts	0.871	
Qes	0.98	
Qms	7.77	
Bxl	5.57N/A	
Sd	268.8cm	105 ⁷ / ₈ "

MECHANICAL DRAWING (MM)



P60 LIMITED EDITION

P60 MED

Technical Sheet

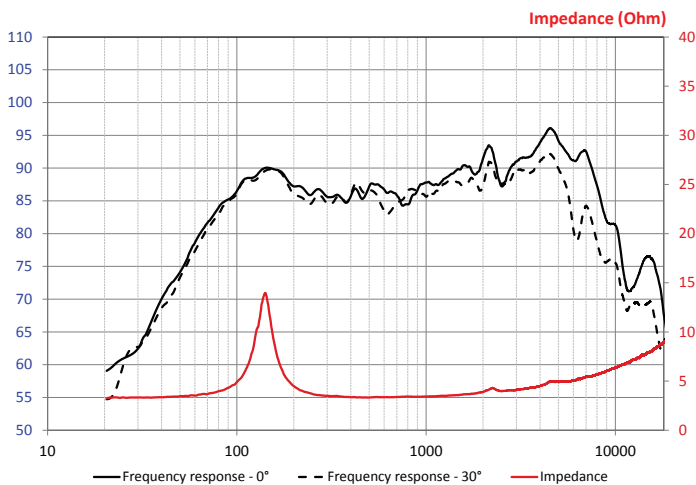
4" medium



SPECIFICATIONS

Nominal power	50W	
Maximum power	100W	
Sensitivity	87dB	
Nom. impedance	4Ω	
Frequency response	150Hz-2500Hz	
Cone	W	
Surround	Butyl	
VC diameter	25mm	1"
Net weight	250g	0.55lbs
Depth	33.8mm	1 ³ / ₈ "
Cone diameter	10cm	4"
Magnet	Neodymium	

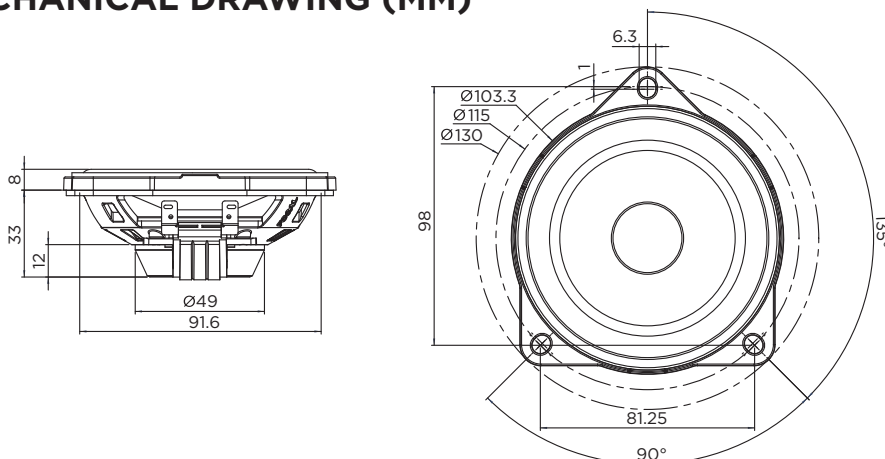
FREQUENCY RESPONSE/IMPEDANCE



PARAMETERS

Rdc	3.3Ω	
Fs	144Hz	
Mms	4.9g	0.01lb
Cms	0.246mm/N	
Vas	0.9l	
Qts	1.32	
Qes	1.7	
Qms	5.9	
Bxl	2.958N/A	
Sd	50.27cm	19 ³ / ₄ "

MECHANICAL DRAWING (MM)



P60 LIMITED EDITION

P60 TW

Technical Sheet

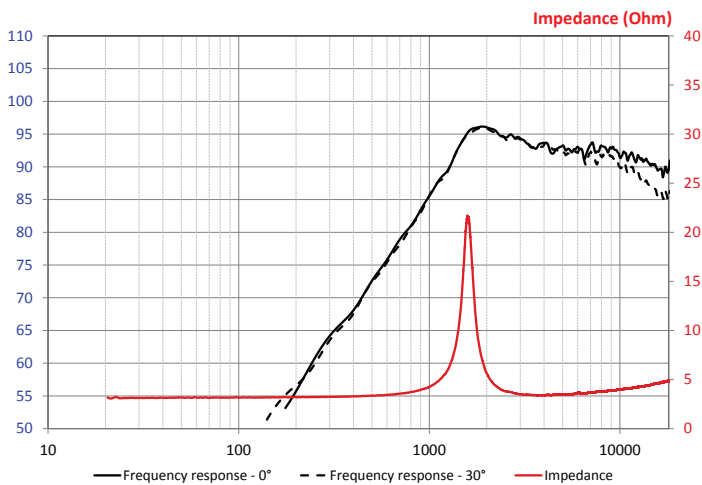
Tweeter



SPECIFICATIONS

Nominal power	15W	
Maximum power	100W	
Sensitivity	93.5dB	
Nom. impedance	4Ω	
Frequency response	2.5kHz-40kHz	
Cone	Beryllium inverted dome tweeter	
Surround	Foam	
VC diameter	20mm	3/4"
Net weight	50g	0.11lb
Depth	24.15mm	1"
Cone diameter	42mm	1 5/8"
Magnet	Neodymium	

FREQUENCY RESPONSE/IMPEDANCE



PARAMETERS

Rdc	3.1Ω
Fs	1600Hz
Sd	7cm ²

MECHANICAL DRAWING (MM)

