

K2 POWER ES 165 KX3E

Technical Sheet

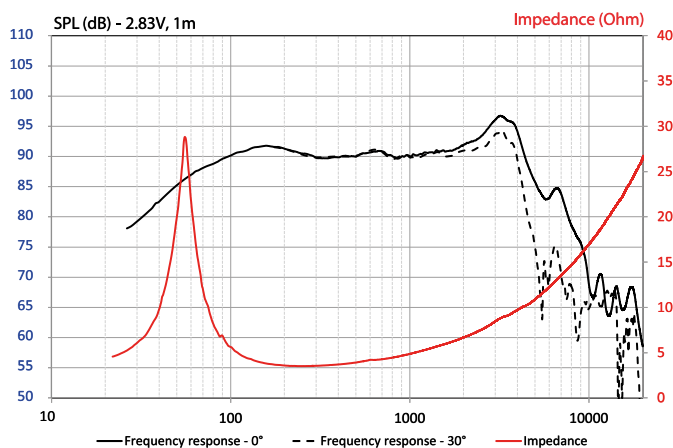
Woofer 6¹/₂"



SPECIFICATIONS

Nominal power	120W	
Maximum power	240W	
Sensitivity (2.83V/1m)	93dB	
Cone	K2 Sandwich	
Nom. impedance	4Ω	
Surround	Butyl	
DC resistance	3.2Ω	
VC diameter	40mm	1 ⁵ / ₈ "
Former	Kapton	
Layers	2	
Wire	CCWA	
Magnet (dxh)	100x22mm	4x7/8"
Net weight	1,750g	3.85lbs

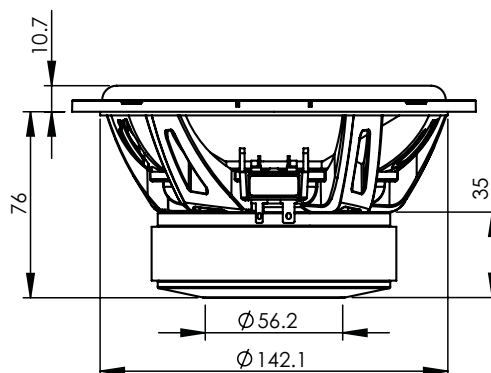
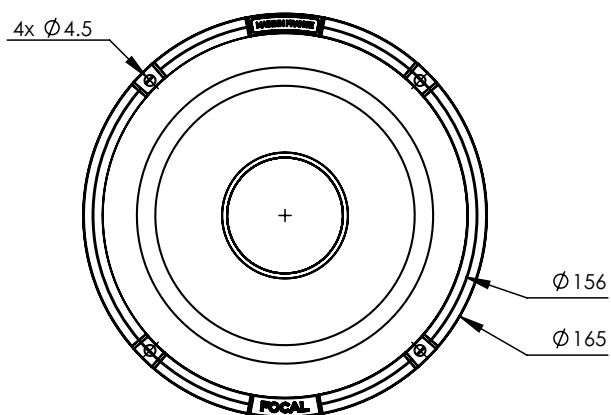
FREQUENCY RESPONSE/IMPEDANCE



PARAMETERS

Rdc	3.2Ω
Fs	54Hz
Mms	16.5g
Cms	0.53mm/N
Vas	13l
Qts	0.48
Qes	0.53
Qms	5
Bxl	5.8 N/A
Sd	128.6cm ²
SPL	89dB
Xmax	5.3mm

MECHANICAL DRAWING



K2 POWER ES 165 KX3E

Technical Sheet

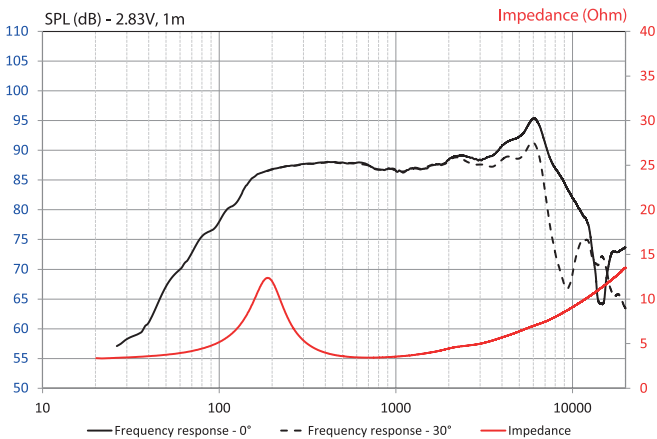
Midrange 3"



SPECIFICATIONS

Nominal power	50W	
Maximum power	100W	
Sensitivity (2.83V/1m)	88dB	
Cone	K2 Sandwich	
Nom. impedance	4Ω	
Surround	Butyl	
DC resistance	3.2Ω	
VC diameter	20mm	3/4"
Former	Kapton	
Layers	2	
Wire	CCWA	
Net weight	185g	0.40lbs

FREQUENCY RESPONSE/IMPEDANCE



PARAMETERS

Rdc	3.2Ω
Fs	190Hz
Mms	3g
Cms	0.2mm/N
Vas	0.3l
Qts	0.69
Qes	0.92
Qms	2.6
Bxl	3.7 N/A
Sd	35cm ²
SPL	86dB
Xmax	2.3mm

MECHANICAL DRAWING

